

iDS-2XM6810F-I(M)/C Mobile Dual-Lens People Counting Camera



smart IPC

iDS-2XM6810F-I(M)/C is a specialized people counting camera, supporting separate counting of people entering, exiting, and passing by.

The camera combines various crucial and advanced technologies, including binocular stereo vision, 3D people detection and tracking, and height filtering, to guarantee high accuracy.

- 1/3" Progressive Scan CMOS
- Dual lens, dual CPU, support stereo views
- 2 mm lens
- Max. resolution 640 × 960
- H.264
- Flash memory storing people counting data
- 3D digital noise reduction
- 12 VDC (wide voltage range: 8 V to 36 V) and PoE
- Up to 3 m IR range



Specifications

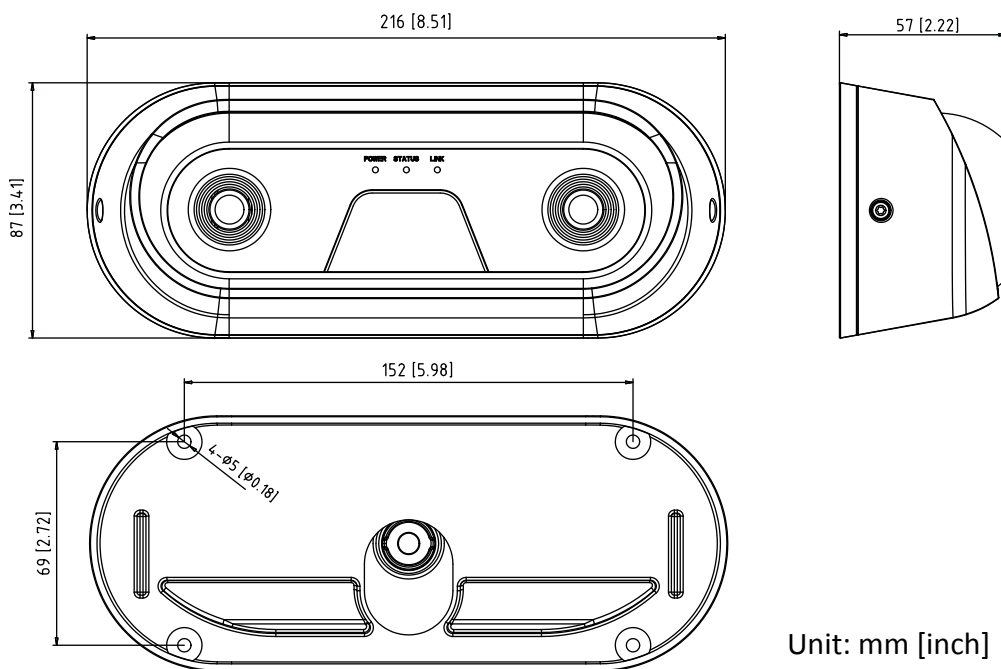
Camera	
Image Sensor	1/3" Progressive Scan CMOS
Shutter Speed	1/25 s to 1/10,000 s
Auto-iris	Manual
Digital Noise Reduction	3D DNR
Angle Adjustment	Tilt: 0° to 45°
Lens	
Focal length	2 mm
Aperture	F2.2
FOV	Horizontal FOV 105°, vertical FOV 89°
Lens Mount	M12
IR	
IR Range	Up to 3 m
Compression Standard	
Video Compression	Main stream: H.264 Sub-stream: H.264
H.264 Type	Baseline Profile/Main Profile/High Profile
Video Bit Rate	32 Kbps to 8 Mbps
People Counting	
Statistics	Support separate counting of people entering, exiting, and passing by
Data Uploading	Support real-time uploading and uploading by statistic cycle
Email Report	Daily, weekly, monthly, and annual report supported
Height Filter	Support
Door Status Indication	Support
Image	
Max. Resolution	640 × 960
Main Stream Max. Frame Rate	50Hz: 25fps (640 × 480) 60Hz: 24fps (640 × 480)
Sub-stream Max. Frame Rate	50Hz: 25fps (640 × 960) 60Hz: 24fps (640 × 960)
Image Enhancement	3D DNR
Image Setting	Brightness and sharpness are adjustable by client software or web browser
Day/Night Switch	Auto, scheduled, day, and night
Network	
Alarm Trigger	Video tampering, network disconnected, IP address conflict, illegal login
Protocols	TCP/IP, ICMP, HTTP, HTTPS, FTP, DHCP, DNS, DDNS, RTP, RTSP, RTCP, NTP, UPnP, SMTP, IGMP, 802.1X, QoS, IPv6, UDP, Bonjour
General Function	Anti-flicker, heartbeat, password protection, watermark, door status detection, email data report
API	ISAPI, RS-485, HTTP
Simultaneous Live View	Up to 6 channels
User/Host	Up to 32 users 3 levels: Administrator, Operator and User
Client	iVMS-4200
Web Browser	IE8+, Chrome31-44, Firefox 30.0 - 51

Interface	
Communication Interface	iDS-2XM6810F-I/C: 1 RJ45 10M/100M Ethernet port iDS-2XM6810F-IM/C : 1 M12 aviation plug 1 RS-485 interface
Alarm	2 inputs, 1 output (up to 24 VDC 1 A, or 110 VAC 500 mA)
General	
Operating Conditions	-30°C to +60°C (-22 °F to +140 °F), humidity 95% or less (non-condensing)
Power Supply	12 VDC (wide voltage range: 8 V to 36 V), terminal block PoE (802.3af, class 3)
Power Consumption and Current	12 VDC, max. 7 W, 0.6A PoE (802.3af, 36 V to 57 V), max. 7 W, 0.2A to 0.13A
Material	Body: metal; enclosure: plastic
Dimensions	Camera: 216 × 87 × 57 mm (8.51" × 3.41" × 2.22") Package: 260 × 125 × 125 mm (10.24" × 4.92" × 4.92")
Weight	Approx.850 g (1.87 lb.), 1100 g (2.43 lb.) with package

Available Models:

iDS-2XM6810F-I/C (2 mm), iDS-2XM6810F-IM/C (2 mm)

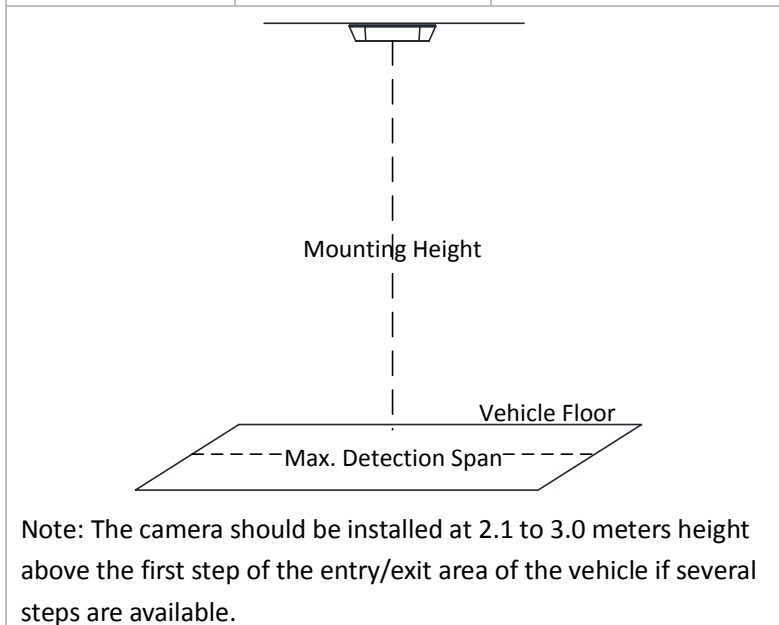
Dimensions



Installation Recommendation

Following table shows the relations among focal length, mounting height, and max. detection span of typical values. For detailed installation advice, please contact the technical support of HIKVISION.

Focal Length (mm)	Mounting Height (m)	Max. Detection Span (m)
2.0	2.5	1.8
2.0	3.0	2.9
2.0	3.5	4.0



Distributed by



HIKVISION®

Headquarters

No.555 Qianmo Road, Binjiang District,
Hangzhou 310051, China
T +86-571-8807-5998
overseasbusiness@hikvision.com

Hikvision USA
T +1-909-895-0400
sales.usa@hikvision.com

Hikvision Europe
T +31-23-55-42-770
info.eu@hikvision.com

Hikvision Middle East
T +971-4-8816086
salesme@hikvision.com

Hikvision Russia
T +7-495-669-67-99
saleru@hikvision.com

Hikvision India
T +91-22-28469900
sales@pramahikvision.com

Hikvision Italy
T +39-0438-6902
info.it@hikvision.com

Hikvision France
T +33(0)1-85-330-450
info.fr@hikvision.com

Hikvision Spain
T +34-91-737-16-55
info.es@hikvision.com

Hikvision Poland
T +48-22-460-01-50
potland@hikvision.com

Hikvision UK
T +01628-902140
support.uk@hikvision.com

Hikvision Singapore
T +65-6684-4718
sg@hikvision.com

Hikvision Oceania
T +61-2-8599-4233
salesau@hikvision.com

Hikvision Canada
T +1-909-895-0400
sales.usa@hikvision.com

Hikvision Korea
T +82-31-731-8841
sales.korea@hikvision.com

Hikvision Brazil
T +55 11 3318-0050
Latam.support@hikvision.com

Hikvision Africa
T +27 (10) 0351172
sale.africa@hikvision.com

Hikvision Hong Kong
T +852-2151-1761