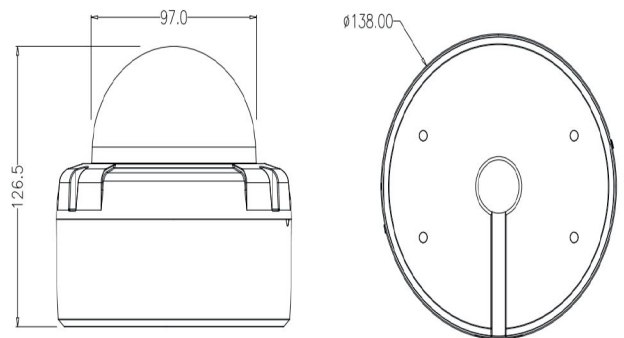


BIC - I142V-SZ 4 MP Motorized Zoom Lens Network Dome Camera



Key Features

- Up to 4 Megapixel high resolution
- H.265 / H.264 video formats
- POE & DC 12V integration design
- 2.8~12mm motorized zoom lens
- Up to 30 meter IR range
- Dual video streams
- 80dB Wide Dynamic Range
- 3D Digital Noise Reduction
- IP66 weather-proof protection
- Support IE, Chrome, Safari, Firefox
- Latest ONVIF V2.4.1 supported
- Browser plug-in free



Specifications

| Camera | |
|-----------------------------|---|
| Image Sensor | 1/3" Progressive Scan CMOS |
| Min. Illumination | Color: 0.01Lux @ (F1.6) ,B/W: 0 Lux with IR |
| Lens | 2.8~12mm motorized zoom lens |
| Day &Night | IR cut filter with auto switch |
| DNR | 3D DNR |
| Wide Dynamic Range | 80dB |
| P&T rotation | Pan: 0° ~ 355°, Tilt: 0° ~ 90°, Rotation: 0° ~ 30° |
| Compression Standard | |
| Video Compression | H.265 / H.264 |
| Dual streams | Support |
| Image | |
| Max. Resolution | 2560 x 1440 |
| Frame Rate | 50Hz: 25fps(2560 x 1440, 1920 x 1080) 60Hz: 25fps(2560 x 1440, 1920 x 1080) |
| Image Setting | DWDR, Compression, Rotate mode, Saturation, Brightness, Contrast |
| ROI Codec | Support, 8 regions |
| Network | |
| Alarm Trigger | Motion detection, Network disconnect, IP address conflict |
| Standards | ONVIF (PROFILE S, PROFILE G), CGI, RTSP, RTMP |
| Interface | |
| Communication | 1 RJ45 100M/1000M Ethernet port |
| On-board storage | Build-in Micro SD/SDHC/SDXC slot, up to 128GB |
| Alarm interface | 1x Alarm I/O |
| Audio interface | 1x Audio in |
| General | |
| Operating Conditions | Temperature: -30°C – 60°C (-22°F – 140°F) |
| | Humidity: 95% or less (non-condensing) |
| Power Supply | DC12V ± 10%, PoE (802.3af) |
| Power Consumption | Max. 8W |
| IR Range | Approx. 30 meters (100 feet) |
| Ingress Protection | IP66 |
| Dimensions | Φ138 × 126.5 (5.4" × 5") |