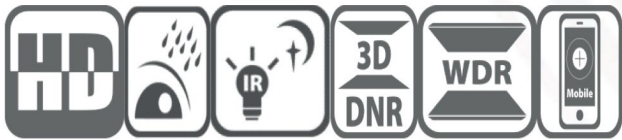
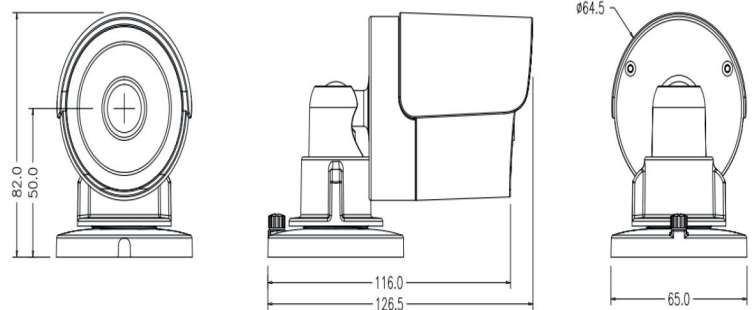


BIC - I141F 4 MP Fixed Lens Network Camera



Key Features

- Up to 4 Megapixel high resolution
- H.265 / H.264 video formats
- POE & DC 12V integration design
- 4mm, 6mm, 8mm M12 fixed lens option
- Up to 30 meter IR range
- Dual video streams
- 80dB Wide Dynamic Range
- 3D Digital Noise Reduction
- IP66 weather-proof protection
- Support IE, Chrome, Safari, Firefox
- Latest ONVIF V2.4.1 supported
- Browser plug-in free



Specifications

Camera	
Image Sensor	1/3" Progressive Scan CMOS
Min. Illumination	Color: 0.01Lux @ (F1.6) ,B/W: 0 Lux with IR
Lens	4mm / 6mm / 8mm M12 fixed lens
Day & Night	IR cut filter with auto switch
DNR	3D DNR
Wide Dynamic Range	80dB
Angle of View	76° (4mm), 51° (6mm) , 39° (8mm)
Compression Standard	
Video Compression	H.265 / H.264
Dual streams	Support
Image	
Max. Resolution	2560 x 1440
Frame Rate	50Hz: 25fps(2560 x 1440, 1920 x 1080) 60Hz: 25fps(2560 x 1440, 1920 x 1080)
Image Setting	DWDR, Compression, Rotate mode, Saturation, Brightness, Contrast
ROI Codec	Support, 8 regions
Network	
Alarm Trigger	Motion detection, Network disconnect, IP address conflict
Standards	ONVIF (PROFILE S, PROFILE G), CGI, RTSP, RTMP
Interface	
Communication	1 RJ45 10M/100M Ethernet port
On-board storage	N/A
Alarm interface	N/A
Audio interface	N/A
General	
Operating Conditions	Temperature: -30°C – 60°C (-22°F – 140°F)
	Humidity: 95% or less (non-condensing)
Power Supply	DC12V ± 10%, PoE (802.3af)
Power Consumption	Max. 5W
IR Range	Approx. 30 meters (100 feet)
Ingress Protection	IP66
Dimensions	65 x 82 x 126.5 (2.6" x 3.2" x 5")