

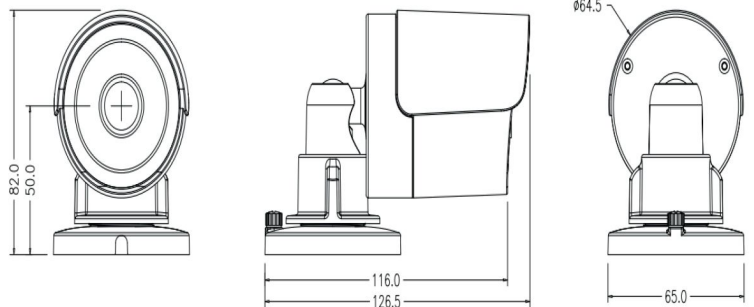
BIC - I121F

2 MP H.265 Mini Bullet Camera



Key Features

- Up to 2 Megapixel high resolution
- H.265 / H.264 video formats
- POE & DC 12V integration design
- 2.8mm,4mm Fixed lens
- Up to 30 meter IR range
- Dual video streams
- 3D Digital Noise Reduction



Specifications

Camera	
Image Sensor	Sony IMX 323
Min. Illumination	Color:0.01Lux@(F1.2),B/W:0.005 Lux F1.8 with IR
Lens	2.8mm, 4mm Fixed lens
Day & Night	IR cut filter with auto switch
DNR	3D DNR
Wide Dynamic Range	Support
Angle of View	Pan:0°~30°,Tilt:0°~75°, 2.8mm:103° 4mm:76°
Compression Standard	
Video Compression	H.265 / H.264
Dual streams	Support
Image	
Max. Resolution	2MP@25fps+640*360@25fps,2MP@30fps+640*360@30fps
Frame Rate	50Hz: 25fps (1920×1080) 60Hz: 25fps (1920×1080)
Image Setting	WDR, Compression, Rotate mode, Saturation, Brightness, Contrast
ROI Codec	Support, 8 regions
Network	
Alarm Trigger	Motion detection, Network disconnect, IP address conflict
Standards	TCP/IP,HTTP,DHCP,DNS,NTP,SMTP,DDNS,SMTP,RTP/RTSP
Interface	
Communication	1 RJ45 10M/100M Ethernet port
On-board storage	Micro SD card
Alarm interface	1x Alarm I/O
Audio interface	1 × Audio in line in
General	
Operating Conditions	Temperature: -30°C – 60°C (-22°F – 140°F)
	Humidity: 95% or less (non-condensing)
Power Supply	DC12V ± 10%, PoE (802.3af)
Power Consumption	Max. 5W
IR Range	Approx. 30 meters
Ingress Protection	IP66
Dimensions	65×82×126.5(2.6"×3.2"×5")