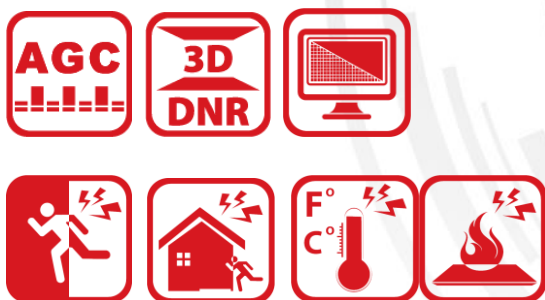


DS-2TD6166-50B2L

Observable Thermal & Optical Bi-spectrum Network PTZ Camera



Hikvision DS-2TD6166-50B2L Observable Thermal & Optical Bi-spectrum Network PTZ Camera (also called Thermal & Optical Bi-spectrum Network Positioning System) is applied to perimeter defense and fire-prevention purposes in occasions such as: maritime affairs, territory frontier, airport, prison, electric power station, and farm. The pre-alarm system helps you discover unexpected events immediately and protects you from property loss.

Smart Function (Thermal Imaging)

- Leading image processing technology: Adaptive AGC, DDE, 3D DNR, NETD < 50mk(@25°C,F#=1.0)
- Powerful behavior analysis algorithm: Line crossing, Intrusion, Audio exception, Region Entrance & Exit
- Reliable temperature exception alarm function
- Advanced fire detection algorithm
- Panorama Tracking, Event Tracking, Multi-Scenario Patrol Tracking and so on;
- Thermal and Optical Bi-spectrum linked Smart Tracking.

Thermal Imaging Module Function

- 640×512 resolution, high sensitivity sensor, support contrast adjustment
- Support shutter adjustment in various modes
- 3D DNR, 14 palettes of color adjustable, image detail enhancement
- Support mirror image, digital zoom X2, X4 and local output



Specifications

Parameter		Model	DS-2TD6166-50B2L
			Observable Thermal & Optical Bi-spectrum Network PTZ Camera
Thermal Module	Image sensor		Vanadium Oxide Uncooled Focal Plane Arrays
	Max. Resolution		640 × 512
	Response waveband		8μm to 14μm
	NETD		< 50mk(@25°C,F#=1.0)
	Lens (focal length)		50mm
	MRAD		0.34mrad
	Field of View		12.42° × 9.95°
	Min. Focusing Distance		7.5 m
	F number		1.0
Optical Module	Max. Resolution		1920 × 1080
	Image Sensor		1/2.8" Progressive Scan CMOS
	Min. Illumination		Color : 0.02Lux @ (F1.5, AGC ON) B/W : 0.002Lux @ (F1.5, AGC ON)
	Focal Length		8-250mm, 32x
	Aperture Range		F1.8-F6.1
PTZ	Movement Range		Pan: 360° Continuous Rotate; Tilt: From +40° to -90°
	Pan Speed		Configurable, From 0.1°/s to 110°/s
	Tilt Speed		Configurable, From 0.1°/s to 50°/s
	Proportional Zoom		Support
	Presets		300
	Patrol Scan		8; Up to 32 Presets Per Patrol
	Pattern Scan		4; More Than 10 Minutes Per Pattern
	Power Off Memory		Support
	Park		Preset/Pattern Scan/Patrol Scan/Auto Scan/Tilt Scan/Random Scan/Frame Scan/Panorama Scan
	PT Status		Turn On/Turn Off
Infrared	Scheduled Task		Preset/Pattern Scan/Patrol Scan/Auto Scan/Tilt Scan/Random Scan/Frame Scan/Panorama Scan/Doom Reboot/Doom Adjust/Aux Output
	IR Distance		Up to 500m
Network	IR Intensity and Angle		Auto Adjust
	Main Stream		Visible Light: 50Hz:25fps(1920×1080), 25fps(1280×960), 25fps(1280×720) Visible Light: 60Hz:30fps(1920×1080), 30fps(1280×960), 30fps(1280×720) Thermal: 50fps(640×512)
	Sub stream		50Hz:25fps (704 × 576), 25fps (352 × 288), 25fps (176 × 144) 60Hz:30fps (704 × 480), 30fps (352 × 240), 30fps (176 × 120) Thermal: 50fps (640 × 512)
	Video compression		H.264 (Baseline/Main/High Profile) / MJPEG/MPEG4
	Audio compression		G.711u/G.711a/G.722.1/MP2L2/G.726/PCM
	Protocols		IPv4/IPv6,HTTP,HTTPS,802.1x,Qos,FTP,SMTP,UPnP,SNMP,DNS,DDNS,NTP,RTSP,RTCP,RTP,TCP,UDP,I GMP,ICMP,DHCP, PPPoE, Bonjour
	Simultaneous live view		Up to 20-ch
	User/Host level		Up to 32 users, 3 levels: Administrator, Operator, User
	Security measures		User authentication (ID and PW), MAC address binding, HTTPS encryption, IEEE 802.1x access control, IP address filtering
Integration	Alarm Input		Up to 7-ch Relay Input (0-5vDC)
	Alarm Output		Up to 2-ch; Support Alarm Linkage
	Alarm Action		Preset/Patrol Scan/Pattern Scan/SD Card Record/Relay Output
	Audio Input		LINE_IN Input/MIC Input; Peak: From 2 to 2.4V[p-p]; Output Impedance: 1KΩ±10%
	Audio Output		Linear Level; Impedance: 600Ω
	Communication Interface		Built-in RJ45; 10M/100M Ethernet Interface
	Onboard Storage		Built-in Micro SD/SDHC/SDXC Card Slot, Up to 64GB; Support Manual/Alarm Recording
	Analog Video Output		1.0V [p-p]/75Ω, PAL/NTSC/BNC
	RS485		Half-Duplex; HIKVISION, PELCO-P and PELCO-D Self-adaptive
	API		Open-ended; Support ONVIF,PSIA and CGI; Support HIKVISION SDK and Third-Party Management Platform
	Client		iVMS-4200
	Web Browser		IE 7+, Chrome 18+, Firefox 5.0+, Safari 5.02+; Multiple Languages
General	Menu		English
	Power		AC24V (DC36V Optional), 120W
	Work Temperature/Humidity		From -40°C to 60°C (-40°F to 140°F); Humidity: 90% or Less
	Protection Level		IP66 Standard; TVS 6000V Lightning Protection, Surge Protection and Voltage Transient Protection
	Weight		19kg (41.89lb)

Wide Range Coverage for Different Specifications

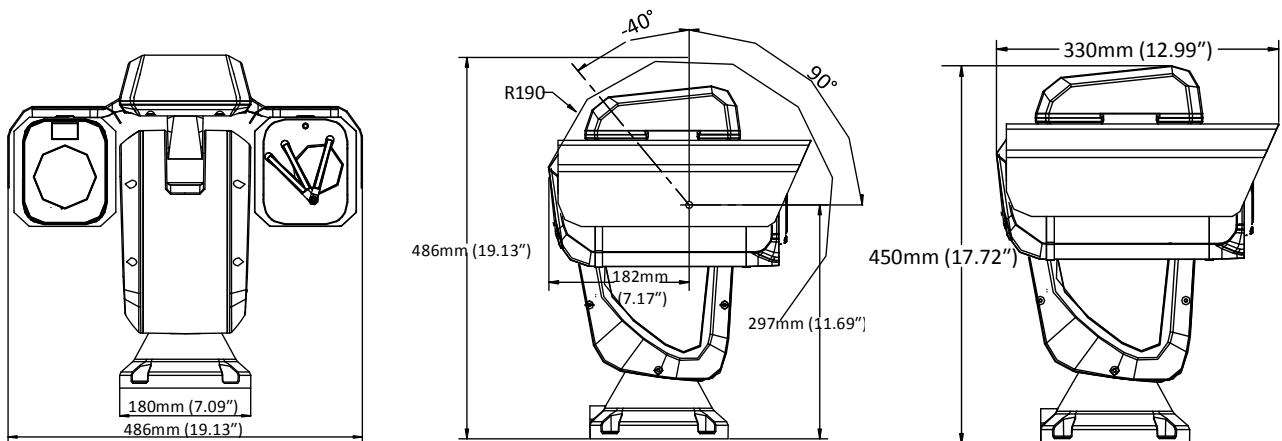
Note: The table below is only for reference, the performance varies from model to model, and the specific data is based on 17 μm pixel space-between.

Lens (focal length)	25mm	35mm	50mm	75mm	100mm
Detection range (Vehicles)	2255m	3157m	4510m	6765m	9020m
Detection range (Humans)	735m	1029m	1471m	2206m	2941m
Recognition range (Vehicles)	564m	789m	1127m	1691m	2255m
Recognition range (Humans)	184m	257m	368m	551m	735m
Identification range (Vehicles)	282m	395m	564m	846m	1127m
Identification range (Humans)	92m	129m	184m	276m	368m

Order Models

DS-2TD6166-50B2L

Dimensions



Distributed by



Headquarters

No.555 Qianmo Road, Binjiang District,
Hangzhou 310051, China
T +86-571-8807-5998
overseasbusiness@hikvision.com

Hikvision USA
T +1-909-895-0400
sales.usa@hikvision.com

Hikvision Europe
T +31-23-5542770
saleseuro@hikvision.com

Hikvision Middle East
T +971-4-8816086
salesme@hikvision.com

Hikvision Russia
T +7-495-669-67-99
saleru@hikvision.com

Hikvision India
T +91-22-28469900
sales@pramahikvision.com

Hikvision Italy
T +39-0438-6902
info.it@hikvision.com

Hikvision France
T +33(0)1-85-330-444
info.fr@hikvision.com

Hikvision Spain
T +34-91-737-16-55
info.es@hikvision.com

Hikvision Poland
T +48-22-460-01-50
poland@hikvision.com

Hikvision UK
T +44-1628-9021-4
support.uk@hikvision.com

Hikvision Singapore
T +65-6684-4718
sg@hikvision.com

Hikvision Oceania
T +61-2-8599-4233
salesau@hikvision.com

Hikvision Hong Kong
T +852-2151-1761

Hikvision Canada
T +1-909-895-0400
sales.usa@hikvision.com