

DUNLOP

DP-22CE16DOT-I3F 2 MP Bullet Camera



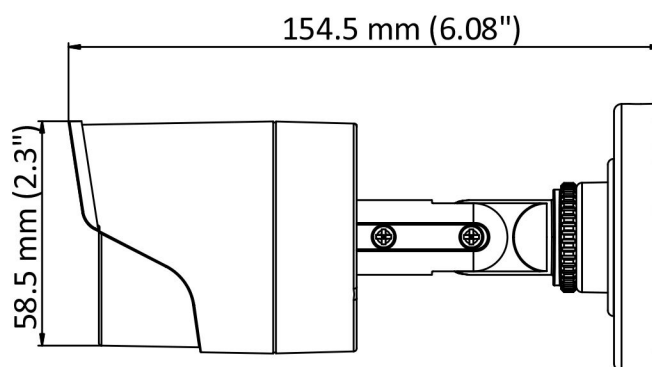
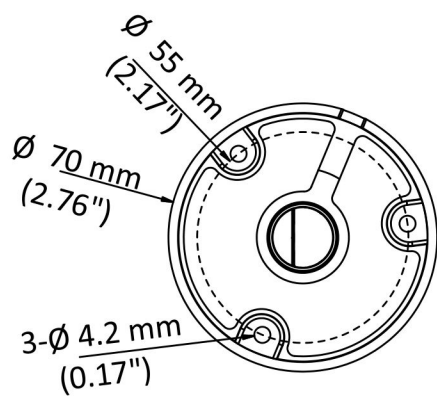
Key Features

- 2 MP high performance CMOS
- 1920 × 1080 resolution
- 2.8 mm, 3.6 mm, 6 mm fixed lens
- Day/Night switch
- Smart IR, up to 30 m IR distance
- Switchable TVI/AHD/CVI/CVBS
- IP66
- Up the coax (HIKVISION-C)

Specifications

Camera	
Image Sensor	2 megapixel progressive scan CMOS
Signal System	PAL/NTSC
Frame Rate	PAL: 1080p@25fps NTSC: 1080p@30fps
Resolution	1920 (H) × 1080 (V)
Min. Illumination	Color 0.01 Lux@(F1.2, AGC ON), 0 Lux with IR
Shutter Time	1/25 (1/30) s to 1/50,000 s
Lens	2.8 mm, 3.6 mm, 6 mm fixed lens
Horizontal Field of View	103° (2.8 mm), 82.2° (3.6 mm), 54° (6 mm)
Lens Mount	M12
Day & Night	IR cut filter
Angle Adjustment	Pan: 0° to 360°, Tilt: 0° to 180°, Rotation: 0° to 360°
Synchronization	Internal synchronization
Menu	
AGC	Low/middle/high
Day/Night Mode	Smart/color/BW(Black and White)
Backlight Compensation	Yes
DWDR	Yes
Language	English
Functions	Brightness, Sharpness, DNR, Mirror
Interface	
Video Output	1 HD analog output
Switch Button	TVI/AHD/CVI/CVBS
General	
Operating Conditions	-40 °C to 60 °C (-40 °F to 140 °F), Humidity 90% or less (non-condensation)
Power Supply	12 VDC ±15%
Power Consumption	Max. 3.8 W
Ingress Protection	IP66
Material	Metal
IR Range	Up to 30 m
Dimensions	∅ 70 mm × 154.5 mm (∅ 2.76" × 6.08")
Weight	Approx. 310 g (0.68 lb.)

Dimensions



Accessories



Junction Box



Video Balun